


LED Driver : Constant Voltage
 Operating Temperature : -10 ~ +50 [°C]
 Dimension : 162 x 42.5 x 30 [mm]
 Approvals / Marks : 



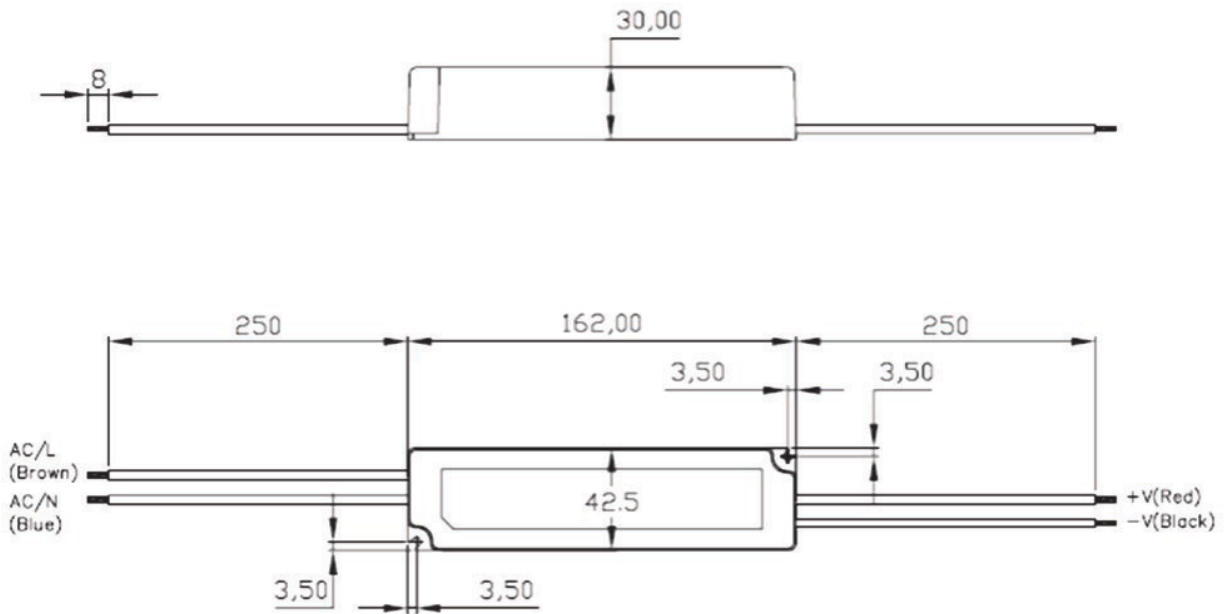
Features:

Constant voltage mode power supply - Suitable for LED lighting and moving sign applications
 Universal AC input / Fully encapsulated with IP67 (for indoor and outdoor use) Full range
 Fully encapsulated with IP67 level
 Protections: Over current / Over Voltage / 100% full load burn-in test

Specification:

| | Model | Voltage DC [V] | min. Load [A] | max. Load [A] | Output Tol. [%] | Efficiency [%] | Max. Power [W] | Ripple & Noise [mV] p-p |
|-----------------------------------|----------------------------|---|---------------|---------------|-----------------|----------------|----------------|-------------------------|
| | HPCV-6012 | 12 | 0 | 5.0 | ±3 | 82 | 60 | 120 |
| | HPCV-6024 | 24 | 0 | 2.5 | ±3 | 84 | 60 | 200 |
| INPUT | Voltage | (100 ~ 240)VAC | | | | | | |
| | Frequency | (47 ~ 63)Hz | | | | | | |
| | Current | 0.7A/220VAC 1.4A/100VAC | | | | | | |
| | Inrush Current max. | 30A/220VAC @ cold start | | | | | | |
| | Leakage current | 0.25mA/240VAC | | | | | | |
| PROTECTION | Over current | Above 150% ~ 200% rated output power or short circuit. Protection type: Hiccup mode, recovers automatically. | | | | | | |
| | Over Voltage | Protection type: Hiccup mode, recovers automatically. | | | | | | |
| | Protection class | Class 2 | | | | | | |
| | Over temperature | Tj 140°C typically (IC1) Detect on main control IC Protection type: Hiccup mode, recovers automatically after temperature goes down. | | | | | | |
| | No Load Operation | <1W | | | | | | |
| OTHERS | Isolation Resistance | I/P-O/P:>100MΩ / 500VDC / 25~70% RH | | | | | | |
| | Set up time | 500ms | | | | | | |
| | Hold-up Time | 50ms/240VAC at full load | | | | | | |
| | MTBF Qualification | 50K hours @ full load and 25°C | | | | | | |
| | AC cable / DC cable | 18AWG 250mm Striped & Tinned 18AWG 250mm Striped & Tinned | | | | | | |
| | Rise time | 250ms | | | | | | |
| | Line regulation | ±1.0% | | | | | | |
| | Load regulation | ±2.0% | | | | | | |
| ENVIRONMENT | Temperature | Operating: (-10 ~ +50)°C / Storage: (-40 ~ 80)°C | | | | | | |
| | Humidity | Operating: (20 ~ +90)%RH / Storage: (10 ~ 95)%RH Non-condensing | | | | | | |
| | Vibration | 10 ~ 500Hz, 2G 10min./1cycle, period for 60min. each along X,Y, Z axes | | | | | | |
| | Temp. Coefficient | ±0.03%/°C (0~50°C) | | | | | | |
| CERTIFICATION & SAFETY | | Safety EN61347-1, EN61347-2-13 Immunity EN61547 Harmonic EN61000-3-2 Magnetic Emission EN55015 RoHS compliant CE mark / compliant UL standard design Pass LPS UL 1310 Class II power unit | | | | | | |
| SAFETY & EMC | Withstand voltage | I/P-O/P:3KVAC | | | | | | |
| | Safety standards | Design refer to UL 1310 Class 2,TUV EN60950-1, EN61347-2-13, CAN/CSA C22.2 No. 223-M91, meet IP67 | | | | | | |
| | EMS Immunity | Compliance to EN61000-4-2,3,4,5,6,8,11; ENV50204, EN55024, light industry level, criteria A | | | | | | |
| | EMI conduction & radiation | Compliance to EN55022 (CISPR22) Class B | | | | | | |
| | Harmonic current | EN61000-3-2,-3 | | | | | | |
| WEIGHT | | HPCV-6012 | | | | | | |
| | 1pc | N.W.: 353g G.W.: 369g 0.38 x 0.36 x 0.18 [m] | | | | | | |
| PACKING | Box | 60pcs / 1box | | | | | | |
| | | G.W.: 25 kg / box | | | | | | |

Mechanical case and cable specification:



Block diagram:

