


LED Driver : Constant Current
 Operating Temperature : -10 ~ +50 [°C]
 Dimension : 140 x 30 x 22 [mm]
 Approvals / Marks : 



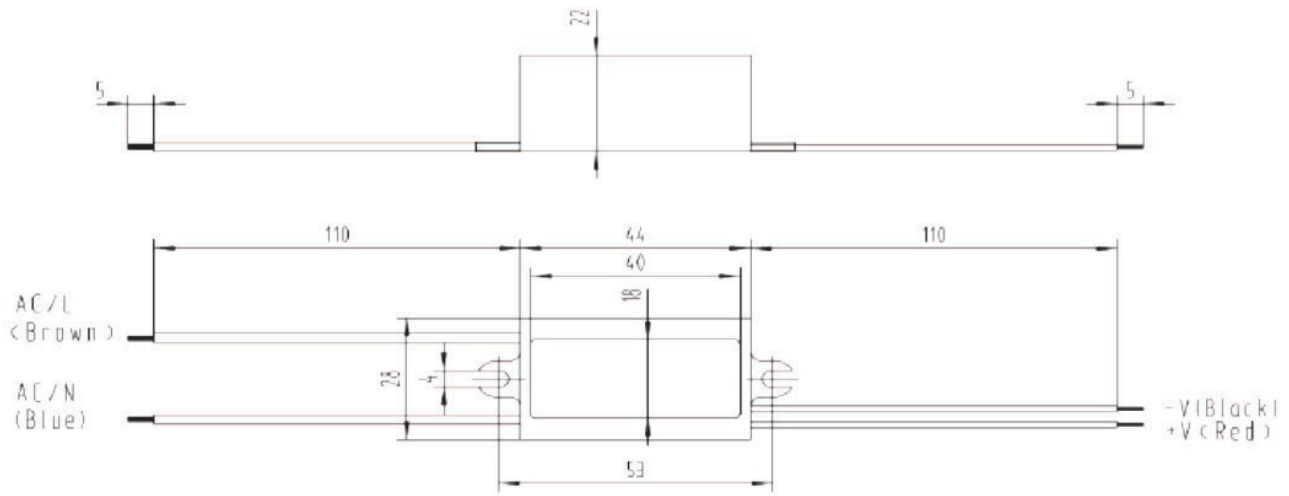
Features:

Constant current mode power supply - Suitable for LED lighting and moving sign applications
 Universal AC input / Fully encapsulated with IP67 (for indoor and outdoor use)
 Small and compact size | UL1310 Class II power unit, pass LPS
 Protections: Over current / 100% full load burn-in test

Specification:

	Model	Current [mA]	Output Tol. [%]	Voltage [V]	Voltage Range [V]	Efficiency [%]	For LED [pcs]	Max. Power [W]	Ripple & Noise [mV] p-p
	HPCC-05350	350±3%	±3	12	2~12	72	1~3	4.2	200
	HPCC-05700	700±3%	±3	6	2~6	72	1~2	4.2	200
INPUT	Voltage	(100 ~ 240)VAC							
	Frequency	(47 ~ 63)Hz							
	Current	0.15A/100VAC 0.10A/200VAC							
	Inrush Current max.	30A/230VAC @ cold start							
	Leakage current	0.25mA/240VAC							
PROTECTION	Over current	Withstand Short circuit output for 30 seconds							
	Over Voltage	-							
	Protection class	-							
	Over temperature	-							
	No Load Operation	-							
OTHERS	Isolation Resistance	I/P-O/P:>100MΩ / 500VDC / 25~70% RH							
	Set up time	500ms							
	Hold-up Time	50ms/230VAC							
	MTBF Qualification	30K hrs @ full load 25 °C; ambient temperature and 20k hrs @ full load 50 °C							
	AC cable / DC cable	-							
	Rise time	250ms							
	Line regulation	±1.0%							
	Burn in	100% full load burn-in test							
	Load regulation	±2.0%							
ENVIRONMENT	Temperature	Operating: (-10 ~ +50)°C / Storage: (-40 ~ 80)°C							
	Humidity	Operating: (20 ~ +90)%RH / Storage: (10 ~ 95)%RH Non-condensing							
	Vibration	-							
	Temp. Coefficient	±0.03%/°C (0-50)[°C]							
CERTIFICATION & SAFETY		Safety EN61347-1, EN61347-2-13 Immunity EN61547 Harmonic EN61000-3-2 Magnetic Emission EN55015 RoHS compliant CE mark / compliant UL standard design Pass LPS UL 1310 Class II power unit							
SAFETY & EMC	Withstand voltage	I/P-O/P:3KVAC							
	Safety standards	Design refer to UL1310 Class 2,TUV EN60950-1, EN61347-2-13, CAN/CSA C22.2 No. 223-M91, meet IP67							
	EMS Immunity	Compliance to EN61000-4-2,3,4,5,6,8,11; ENV50204, EN55024, light industry level, criteria A							
	EMI conduction & radiation	Compliance to EN55022 (CISPR22) Class B							
	Harmonic current	EN61000-3-2,-3							
WEIGHT		HPCC-05xxx							
	1pc	N.W.: 43g G.W.: 47g							
		0.345 x 0.235 x 0.28 [m]							
PACKING	Box	300pcs / 1box							
		G.W.: 14.5 kg / box							

Mechanical case and cable specification:



Block diagram:

