



152A Series Data Sheet
High Voltage Power Supply
Capacitor Charging and DC
Output Voltage from 1kV - 40kV
Output Power 1.5kJ/sec or 1.5kW
Comprehensive remote control
Compact OEM Design



TDK-Lambda

www.us.tdk-lambda.com/hp

152A Series Specification

High Performance, cost effective, reliable, OEM style capacitor charging and DC power supply with average power rating of 1.5kJ/sec or 1.5kW DC.

- Power rating of 1.5kJ/sec, 1.65kJ/sec peak
- 1.5kW in continuous DC operation
- Output Voltages from 0-1kV to 0-40kV
- Compact air cooled OEM style package
- Medical safety approvals (EN60601-1)
- Patented parallel resonant inverter
- Excellent pulse to pulse repeatability
- 230VAC 1Ø input voltage
- Reliable, cost effective design with reduced parts count
- Optional Active PFC (pf = 0.98)
- Full remote control interface
- Simple parallel operation for higher power

Average Capacitor Charging Power	1,500 Joules/sec ($\frac{1}{2}CV^2 \times \text{Rep Rate}$)
Peak Capacitor Charging Power	1,650 Joules/sec ($\frac{1}{2}CV^2/t_{\text{charge}}$)
Average Continuous DC Power	1,500 Watts
Output Voltage Range	1, 1.5, 2, 3, 4, 5, 6, 10, 15, 20, 30, 40kV, variable from 10-100% of rated
Polarity	Available as fixed Positive or Negative. Please specify at time of ordering
HV Output	1-6kV Models - Air Insulated with RG58/U Coaxial cable and MHV connector 7-40kV Models - Oil Insulated with DS2024 Silicone lead & proprietary HV connector
AC Input Voltage	230VAC (180-254), 50-60Hz 1Ø
AC Input Current - non PFC ⁽¹⁾	15A without Active PFC
AC Input Current - Active PFC ⁽¹⁾	10A with optional Active Electronic PFC
AC Connector	UL/CSA approved terminal block.
Power Factor	Non PFC pf = 0.65, Optional Active PFC - 0.98 at full load and nominal AC line
Efficiency	Better than 85% at full load
Stability	±0.2% per hour after 1 hour warmup
Temperature Coefficient	100ppm per °C typical
Stored Energy	Less than 0.3J all models
Pulse to Pulse Repeatability	±0.2% to 300Hz, consult factory for higher rep rates
Dimensions - inches (mm)	5.75 (146) W x 5.56 (141) H x 14.2 (361) D
Weight - lbs (kg) - 1-6kV Models	Non PFC - 9 (4), with optional PFC - 11 (5)
10-40kV Models	Non PFC - 13 (6), with optional PFC - 15 (7)
Ambient Temperature	Storage: -40 to +85°C. Operating: -20 to +45°C
Altitude	Storage: 40,000ft (12,000m), Operating: 9,900ft (3,000m)
Humidity	10-90%, non-condensing
Protection	Open/short circuits, Overloads, Arcs, Overtemp, Overvoltage
Agency Approvals	TUV Certified to EN60601-1, IEC60601-1
Remote Control (all models)	Via 15-pin D-sub connector on rear of unit, Signals include, Vprogram (0-10V), HV Enable/Reset, Inhibit, Summary Fault, Load Fault, Vanalog, Vpeak
Accessories	Mating HV cable, control connector, operating manual, mounting brackets
Options	PFC - Active Electronic PFC LH - Low Inhibit. Replaces standard high Inhibit EN - Low Enable. Replaces standard high enable 5V - 0-5V Analog programming. Replaces standard 0-10V programming LP - Latching Overload Protection, requires HV reset after overload fault DC - Continuous DC operation
Ordering Info	Model - XXkV - POS (or NEG) - PFC (blank for non PFC) - YY (options)
Ordering Examples	152A-10kV-POS, 152A-40kV-POS-PFC-LH, 152A-1kV-POS-PFC-DC

(1) Input current figure valid for repetition rates greater than 10Hz. For operation below 10Hz contact factory.

All specifications subject to change without notice

152A Mechanical Details

Front View

All Models



- 1 - Cooling Fan (Air exits this end)
- 2 - AC Input Connector
- 3 - 15pin D-sub Female Control Connector

Rear Views

Outputs Voltages from 1-6kV



- 4 - MHV Output Connector (1-6kV Models)

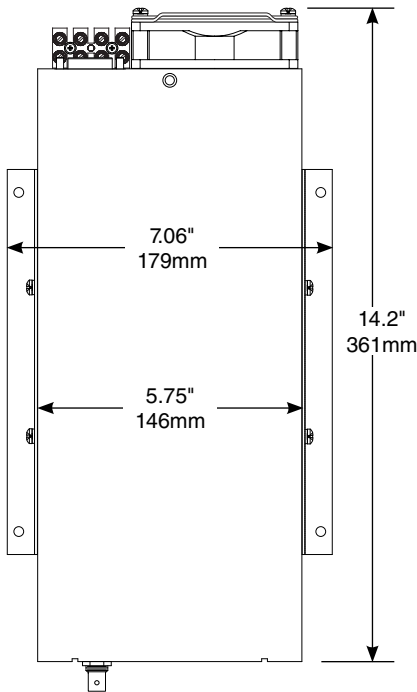
Output Voltages from 7-40kV



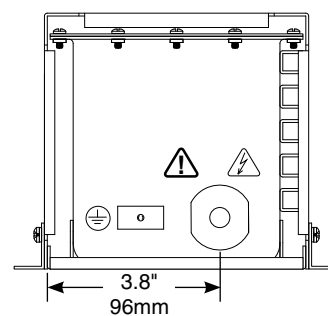
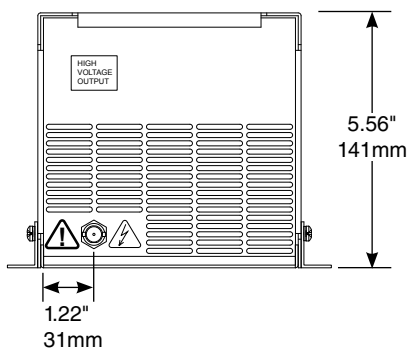
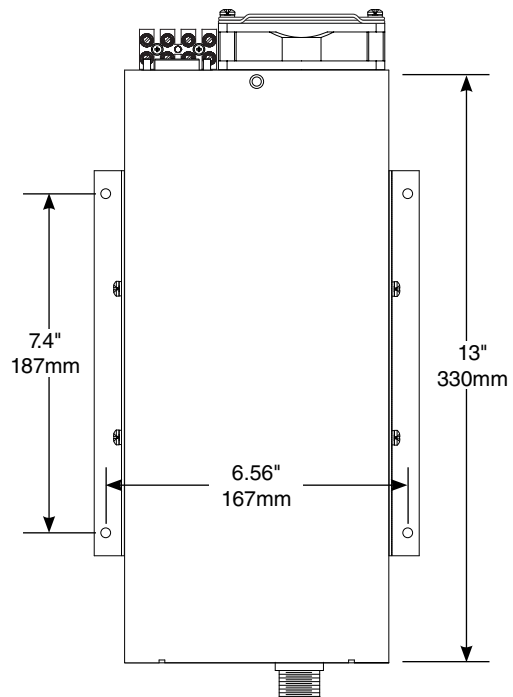
- 5 - Ground Stud (7-40kV Models)
- 6 - HV Output Connector (7-40kV Models)

Dimensional Outline Drawings

Outputs From 1kV to 6kV



Outputs From 7kV to 40kV



GLOBAL HIGH VOLTAGE NETWORK

NORTH AMERICA

TDK-Lambda Americas Inc., High Power Division
405 Essex Rd. Neptune, NJ 07753
Tel: +1-732-922-9300, Fax: +1-732-922-1441
E-mail: andy.tydeman@us.tdk-lambda.com
Web: www.us.tdk-lambda.com/hp

CANADA

TMetrix
5805 Kennedy Road Mississauga,
Ontario L4Z 2G3
Tel: +1-905-890-2010, Fax: +1-905-890-1959
E-mail: lambda@aca.ca, Web: tmetrix.com

UK

Pulse Power & Measurement Ltd.
65 Shrivenham Hundred Business Park
Watchfield, Swindon
Wiltshire, SN6 8TY
Tel: +44-1793-784389, Fax: +44-1793-784391
Email: sales@ppm.co.uk, Web: www.pmpower.co.uk

IRELAND

FRANCE

TDK-Lambda France
ZAC des Delaches CS 41077, 9 rue Thuillere
91978 Villebon Courtaboeuf
Tel: +33 1 60 12 71 65, Fax: +33 1 60 12 71 66
Email: france@fr.tdk-lambda.com
Web: www.fr.tdk-lambda.com

BELGIUM

SPAIN

NETHERLANDS

LUXEMBOURG

GERMANY

Guth GmbH
Spitzenbergstrasse 6
D – 73084 Salach
Tel: +49-7162-948930, Fax: +49-7162-9489399
Email: kontakt@guth-hv.de, Web: www.guth-hv.de

AUSTRIA

SWITZERLAND

ITALY

TDK-Lambda Italy
Via dei Lavoratori 128/130
IT 20092 Cinisello Balsamo (MI)
Tel: +39-02-6129-3863, Fax: +39-02-6129-0900
Email: info.italia@it.tdk-lambda.com
Web: www.it.tdk-lambda.com

SCANDINAVIA

BALTICS

Divisoft AB
Rallarvägen 41, SE-184 40 Åkersberga, Sweden
Tel: +46 8 540 248 09, Fax: +46 8 501 096 53
Email: iain@divisoft.se, Web: www.divisoft.se

ISRAEL

RUSSIA

UKRAINE

TDK-Lambda Israel Ltd.
Kibbutz Givat Hashlosa Tel-Aviv 48800
Tel: +972-3-9024-333, Fax: +972-3-9024-777
Email: info@tdk-lambda.co.il, Web: www.tdk-lambda.co.il

BRAZIL

Suplitec
Rua Sena Madureira 455, Belo Hte - 31340-000
Tel: +55-31-3498 1177, Fax: +55-31-3441 0841
Email: vendas@suplitec.com.br, Web: www.suplitec.com.br

MEXICO

AcMax De Mexico
Rosas 139 Col. Bugambilias. Puebla, Pue. C.P. 72580
Tel: +52-800-211-0060, Fax: +52-264-1445
Email: edaena@acmax.mx, Web: www.acmax.mx

JAPAN

KOREA

Electronics Optics Research, Ltd
4-26-19 Koenji-Minami
Suginami-ku, Tokyo 166-0003
Tel: +81-333-145699, Fax: +81-333-142333
Email: imamura@eor.jp, Web: www.eor.jp

CHINA

TDK-Lambda Shanghai Office
28F, Xingyuan Technology Building, No.418 Guiping Road
Shanghai, 200233 P.R. China
Tel: +86-21-64850777, Fax: +86-21-64850666
Email: sales-sh@cn.tdk-lambda.com
Web: www.cn.tdk-lambda.com

MALAYSIA

TDK-Lambda Malaysia
No.7.3, 7th Floor, Jaya Shopping Center,
Jalan Semangat Section 14, 46100
Petaling Jaya Selangor, D.E
Tel: +60-3-7957-8800 Fax: +60-3-7958-2400
Web: www.tdk-lambda.com.my

SINGAPORE

PHILIPPINES

THAILAND

TDK-Lambda Singapore
1008 Toa Payoh North # 06-01/08
Singapore 318996
Tel: +65-6251-7211 Fax: +65-6250-9171
Web: www.se.tdk-lambda.com

INDIA

TDK-Lambda India
#526, Ground Floor, 10th Main, 7th Cross,
Jeevanbhimanagar, Bangalore 560 075, Karnataka, India
Tel : +91-80-43550500, Fax :+91-80-43550501
Email: mathew.philip@in.tdk-lambda.com
Web www.in.tdk-lambda.com

SOUTH AFRICA

PaR Systems (Pty) Ltd.
Pretoria, South Africa
Tel: +27-12-5480370, Fax: +27-12-5480447
Email: ndupreez@par.com
Web: www.sdilasers.com



TDK-Lambda Americas Inc. 405 Essex Road, Neptune, NJ 07753 USA
Tel: +1 732 922 9300 Fax: +1 732 922 1441
www.us.tdk-lambda.com/hp

93 008 007 Rev E