



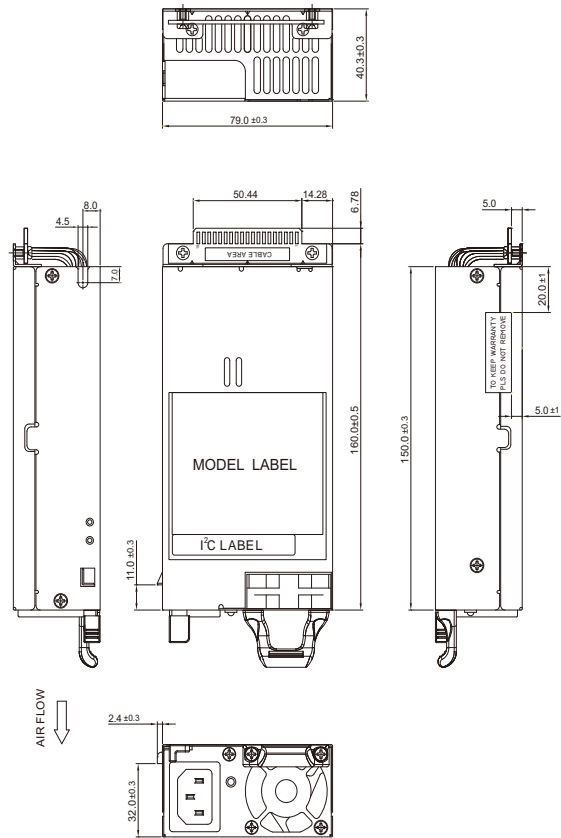
Features

- Dimension (L x W x H) : 150.0 x 79.0 x 40.3 (mm)
- N+1 Redundant
- Support PMBus
- High Power Density 10.29 W/in³
- Application for IPC, Storage, Embedded server, Networking



Specifications

Total Output	300W
Input Voltage	90 - 264 VAC
Input Frequency	47 - 63 Hz
Efficiency	80 Plus SILVER certified Highest efficiency 89% at 230VAC
Input Current	5.0A max at 115VAC, 2.5A max at 230VAC
Inrush Current	40A max at 115VAC, 60A max at 230VAC
Power Factor	> 0.98
Earth Leakage Current	1.75mA max at 240VAC / 50Hz
Hold Up Time	> 17 mS / 115VAC
Over Current Protection	+12V : 26.4A ~ 36.0A
Over Voltage Protection	+12V : 13.2V ~ 14.8V
Short Circuit Protection	No damage, resistance ≤ 0.01Ω
MTBF	100 kHrs per Bellcore SR-332 Issue2 at 25°C ambient
Operating Temperature	0 to 50 °C
Operating Humidity	5 - 90%, Non-condensing
Storage Temperature	-40 °C to +70 °C



Output	Minimum Load	Maximum Load	Condition	Ripple & Noise
+12 V	0.5 A	24 A		150mV p-p
+5 VSB	0.1 A	4.0 A		75mV p-p