

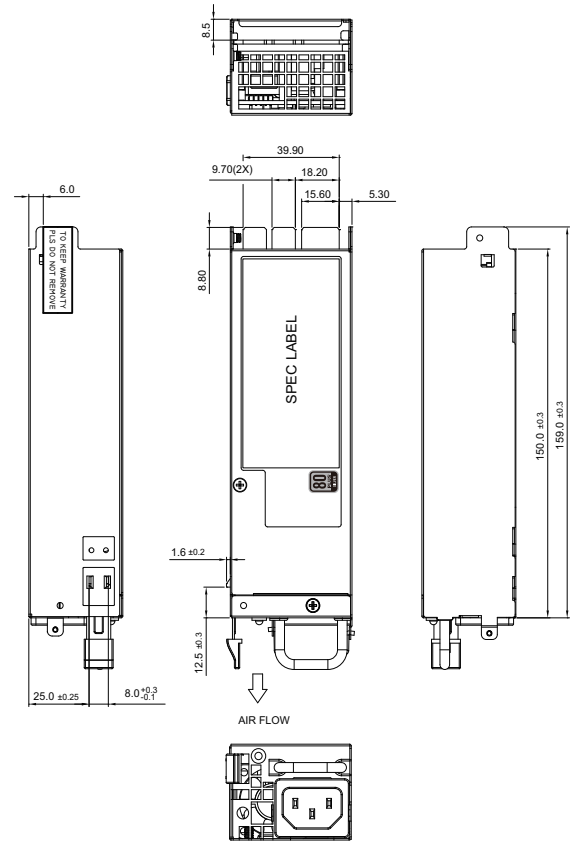
### Features

- Dimension (L x W x H) : 150.0 x 50.5 x 39.0 (mm)
- N+1 Redundant
- Support PMBus 1.2
- No Minimum Load Required
- Application for IPC, Storage, Embedded server, Networking



### Specifications

|                          |  |
|--------------------------|--|
| Total Output             | 150W   |
| Input Voltage            | 90 - 264 VAC   |
| Input Frequency          | 47 - 63 Hz   |
| Efficiency               | 80 Plus SILVER certified<br>Highest efficiency 89% at 230VAC |
| Input Current            | 3.0A max at 115VAC, 1.5A max at 230VAC                       |
| Inrush Current           | 150A max at 115VAC, 150A max at 230VAC                       |
| Power Factor             | > 0.98   |
| Earth Leakage Current    | 1.5mA max at 240VAC / 50Hz                                   |
| Hold Up Time             | > 16 mS / 115VAC   |
| Over Current Protection  | +12V : 15.0A ~ 18.75A  |
| Over Voltage Protection  | +12V : 13.3V ~ 15.6V   |
| Short Circuit Protection | No damage, resistance $\leq 0.01\Omega$                      |
| MTBF                     | 100 kHrs per Bellcore SR-332 Issue2<br>at 25°C ambient       |
| Operating Temperature    | -5 to 50 °C  |
| Operating Humidity       | 85% RH, Non-condensing                                       |
| Storage Temperature      | -40 °C to +70 °C   |



| Output | Minimum Load | Maximum Load | Condition | Ripple & Noise |
|--------|--------------|--------------|-----------|----------------|
| +12 V  | 0 A          | 12.5 A       |           | 120mV p-p      |
| +5 VSB | 0 A          | 3.0 A        |           | 50mV p-p       |