

### Features

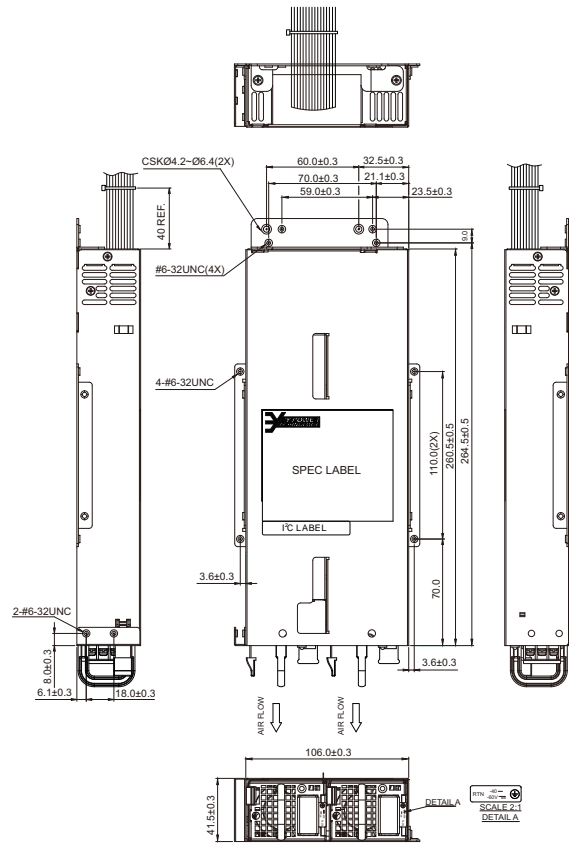
- Dimension (L x W x H) : 260.5 x 106.0 x 41.5 (mm)
- N+1 Redundant
- Support PMBus 1.2
- No Minimum Load Required
- Application for IPC, Storage, Embedded server, Networking



\* Redundant Module : YM-2301KxR

### Specifications

Total Output	300W
Input Voltage	36 - 72 VDC
Efficiency	80% at Max load of 48 ~ 72VDC
Input Current	12.0A / 36VDC, 6.0A / 72VDC
Inrush Current	100A / 72VDC
Earth Leakage Current	1.5mA max for each power supply at 48VDC
Hold Up Time	> 10 mS / 36VDC
Over Current Protection	+3.3V : 22.0A ~ 28.0A +5V : 22.0A ~ 28.0A +12V : 26.4A ~ 35.2A
Over Voltage Protection	+3.3V : 3.9V ~ 4.5V +5V : 5.7V ~ 6.5V +12V1-3 : 13.3V ~ 15.6V
Short Circuit Protection	No damage, resistance $\leq$ 0.01 $\Omega$
MTBF	100 kHrs per Bellcore SR-332 Issue2 at 25°C ambient
Operating Temperature	-5 to 50 °C
Operating Humidity	85% RH, Non-condensing
Storage Temperature	-40 °C to +70 °C



Output	Minimum Load	Maximum Load	Condition	Ripple & Noise
+3.3 V	0 A	20 A	+3.3 V & +5 V combined power $\leq$ 140 W	50mV p-p
+5 V	0 A	20 A		50mV p-p
+12 V	0 A	24 A		120mV p-p
-12 V	0 A	0.5 A		120mV p-p
+5 VSB	0 A	3.0 A		50mV p-p